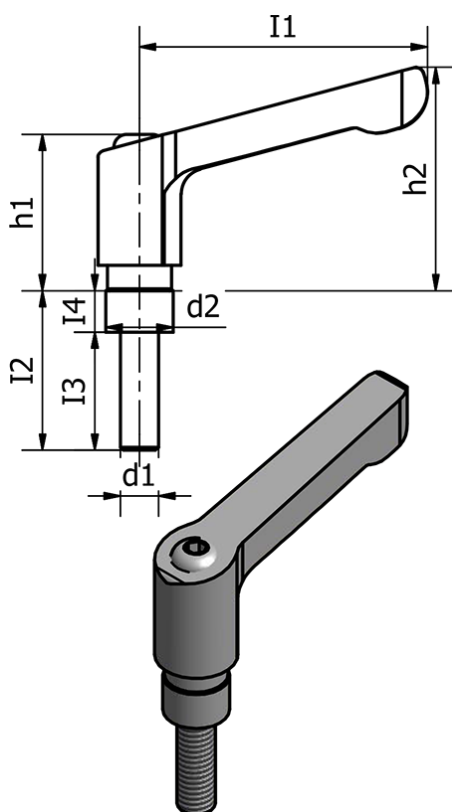


Article number: 20511M520
Description: E+G Clamping kit
GN 511-M5-20

Measures



d1 = 4

d2 = 9

h1 = 24.5

h2 = 30

I1 = 30

I2 = 20

I3 = 14

I4 = 6

Weight (g) = 40